



JUAL
SOLAR

JUAL SOLAR // CONSOLE SYSTEM // DATASHEET

CABLE FLASHING FROM JUAL SOLAR



EN1253



TÜVRheinland®

LGAM

Produkttest og certificering er udført med basis i EN1253

PRODUCTDESCRIPTION:

JUAL SOLAR CABLE FLASHING

For secure and watertight flashing of roof penetrations for electrical cables on flat roofs with roof membrane.

APPLICATION

Secure solution for bringing cables through the roofing membrane, where through cables can easily be installed without colliding with sharp edges of contours.

ORDERING:

TYPE	ITEM
CABLE FLASHING	71075KP-P--XXX Art. No.– Plastic/steel flexure – Bitumen
Find the Membrane overview under "Downloads" on jualsolar.dk	

MATERIAL:

Flange:	Stainless steel
Pipe:	Stainless steel
Elbow:	Plastic or stainless steel
Membrane:	The type of the integrated membrane can be specified for each individual project.

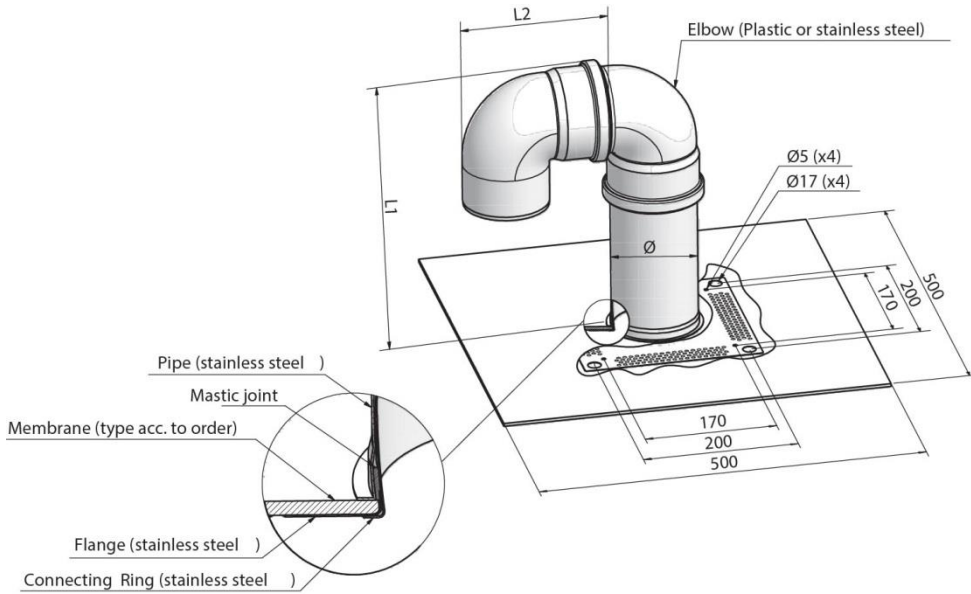


JUAL
SOLAR

JUAL SOLAR // CONSOLE SYSTEM // DATASHEET

CABLE FLASHING FROM JUAL SOLAR

TEKNICAL DATA:



Dimension	L1	L2
Ø 75	350	150
Ø110	380	190

INSTALLATION:

