



TECHNICAL DATA SHEET

JUAL

CABLE FLASHING FOR INCLINED ROOF



PRODUCT DESCRIPTION

JUAL Cable Flashing for inclined roof

APPLICATION:

JUAL Cable Flashing for inclined roofs for safe penetration of roofing membranes.

MATERIAL:

Flange: Stainless Steel, AISI 304

Pipe/elbow: Stainless Steel AISI 316

Membrane: Bitumen



TÜVRheinland®

Precisely Right.

TÜV Rheinland-tested. The product test and certification is based upon requirements from EN1253.

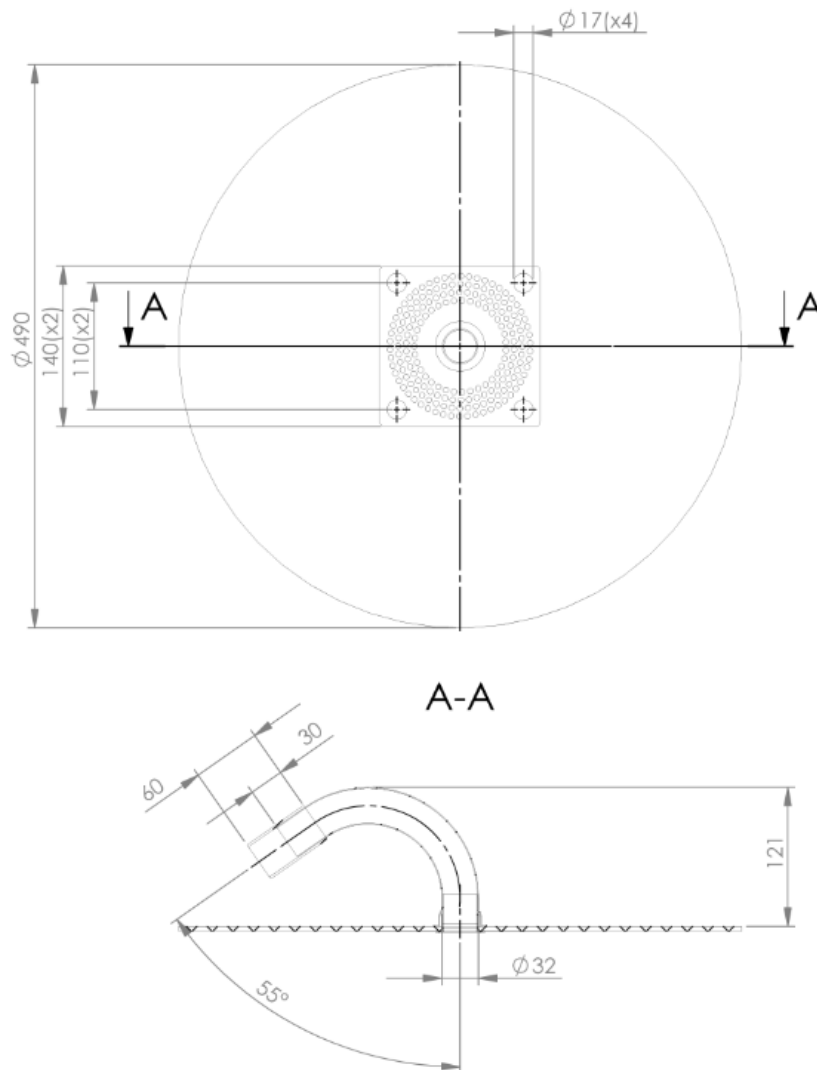
ARTICLE NUMBERS

TYPE	DIA.	ARTICLE NUMBERS	MEMBRANE OVERVIEW
JUAL Cable Flashing for inclined roof	Ø32	220055-xxx	<p>Eks.: 220055-xxx</p> <p>"xxx" is the membrane code</p> <p>Ex.: SBS: code 101</p> <p>Membrane list is found at www.jual.dk</p>



TECHNICAL DATA SHEET

TECHNICAL INFORMATION



APPROVALS

The cable flashing for inclined roofs is approved and certified according to EN1253 which specifies the requirements for design and function, as well as manufactured according to DIN18200 which specifies the requirements for the production.

LGA Certificate No.: 572 (year) 060 - can be found at www.jual.dk.